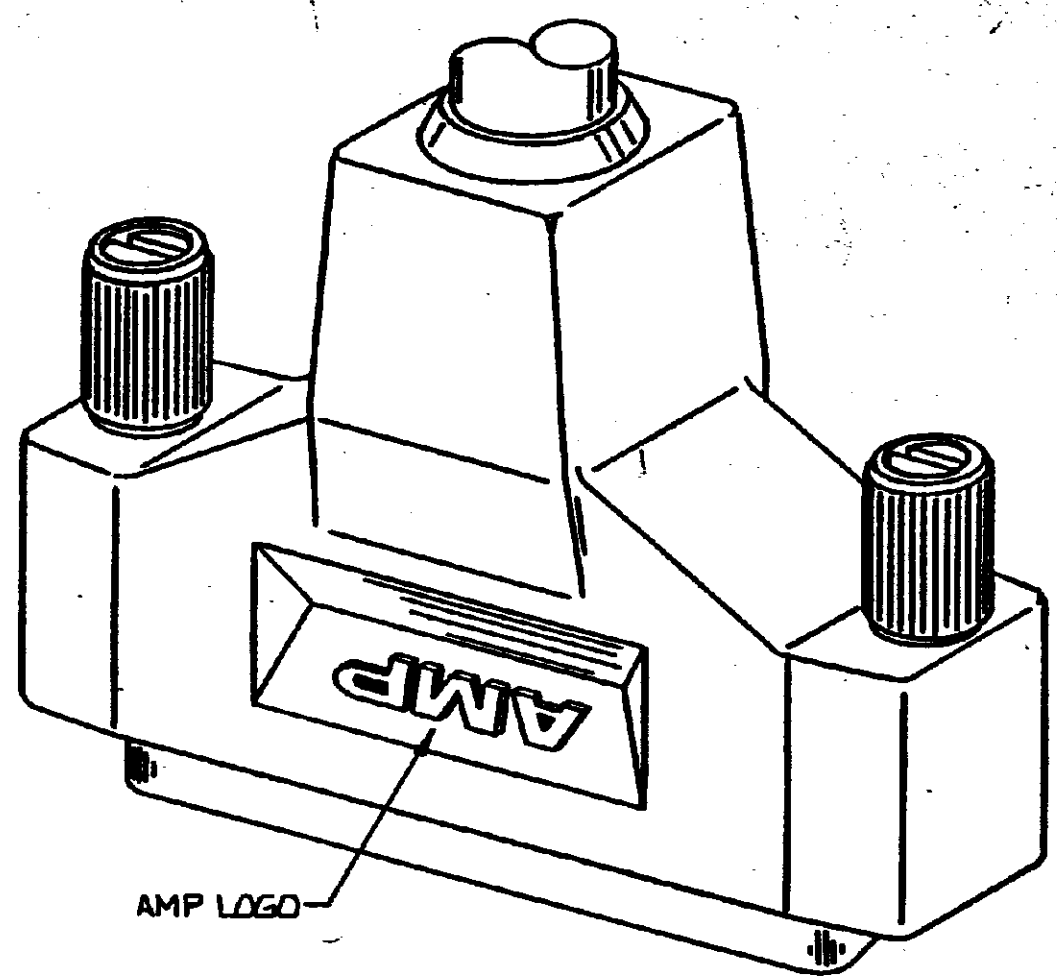
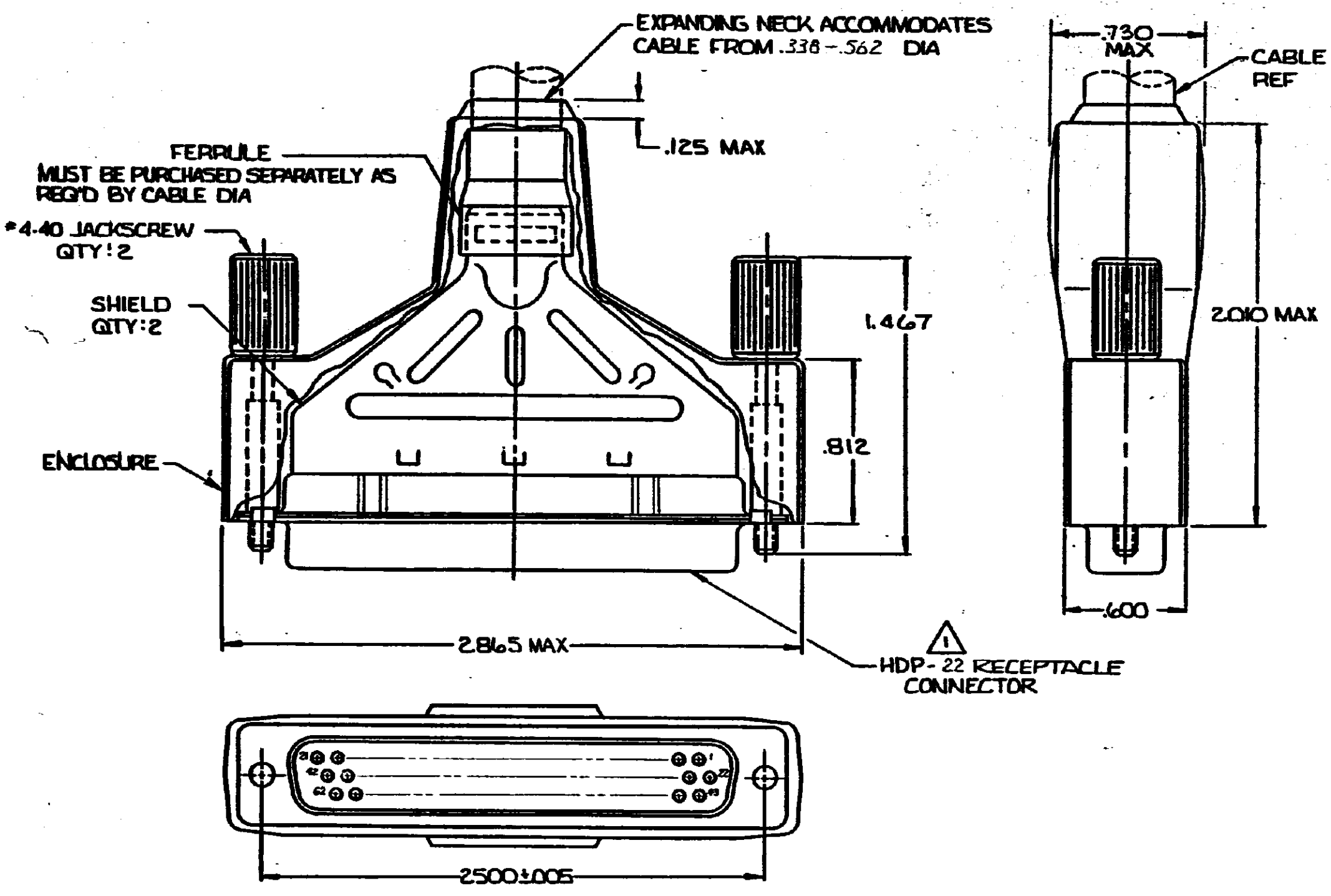


DRAWING MADE IN THIRD ANGLE PROJECTION

THIS DRAWING IS UNPUBLISHED. RELEASED FOR PUBLICATION
 © COPYRIGHT 19 BY AMP INCORPORATED, HARRISBURG, PA. ALL INTERNATIONAL RIGHTS RESERVED. AMP PRODUCTS MAY BE COVERED BY U.S. AND FOREIGN PATENTS AND/OR PATENTS PENDING.

REVOLUTIONS		DATE	APPROVED
0	RELEASED		
A	REVISED - ECN BD2607	11-30-88	Reo
B	REV PER ECN BD2328	2-17-89	Reo
C	REV PER ECN BD 4493	1-3-91	
D	REVISED PER ECN BD6133	4-6-92	TMS



- 1 RECEPTACLE ACCEPTS SIZE 22 DF SOCKET CONTACTS. CONTACTS MUST BE PURCHASED SEPARATELY.
- 2. ALL PARTS SHIPPED UNASSEMBLED.
- 3 FLAME RETARDANT 94V-0 RATED, STYRENE POLYOLEFIN OR PVC, COLOR: BLACK.
- 4 FLAME RETARDANT 94V-0 RATED GLASS FILLED NYLON OR POLYESTER, COLOR: BLACK.
- 5 STEEL PER ASTM A109.
- 6 TIN PLATING PER MIL-T-10727.
- 7 ZINC PLATING PER ASTM B633, TYPE II, CLASS SCI, BLACK CHROMATE.
- 8 COMPONENTS INDIVIDUALLY BULK PACKED.

UNLESS OTHERWISE SPECIFIED DIMENSIONS ARE IN INCHES. TOLERANCES ON: DECIMALS ± .020 ANGLES		CONTRACT NO	AMP INCORPORATED Harrisburg, Pa. 17105
MATERIAL INSERT: ENCLOSURE	DR W.G. Lonker 2-24-88	CHK C. Rickard 3-1-88	NAME SHIELDING ENCLOSURE KIT, RECEPTACLE, SIZE 4, G2 POSITION, AMPLIMITE® HDP-22
SHELLS & SHIELDS: JACKSCREWS: ZINC ALLOY	ARPD D. Newby 3-1-88	APPD V. Kunt 3/1/88	SIZE C FSCM NO 00779 DRAWING NO 748642
FINISH SHELLS & SHIELDS: JACKSCREWS:	OSGN APPD	OTHER APPD	SCALE 2:1 SHEET 1 OF 1

CUSTOMER DRAWING

748642